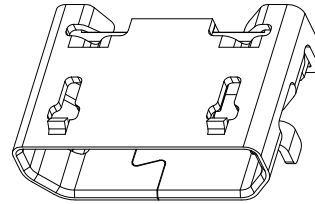
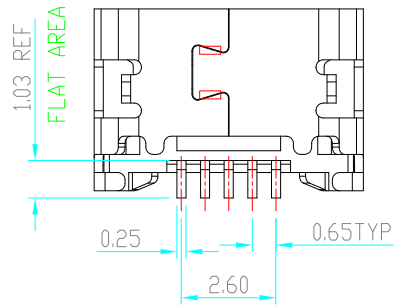


REV.	DESCRIPTION	DATE
A	RELEASE	Apr,11,2021



NOTES:

1, MATERIAL:

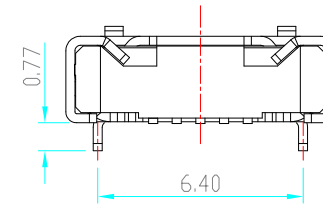
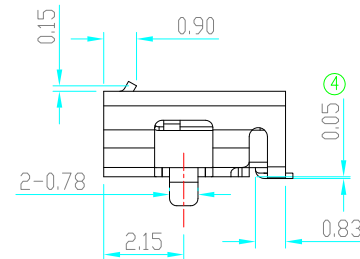
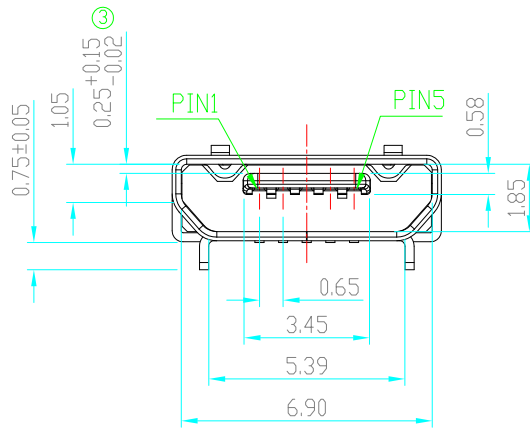
- 1-1. HOUSING: THERMOPLASTIC, UL94V-0, COLOR: WHITE;
- 1-2. CONTACT: COPPER ALLOY T=0.15MM;
- 1-3. SHELL: SUS T=0.25mm

2, FINISH:

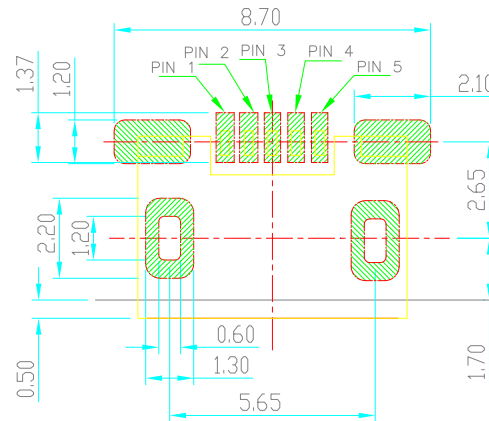
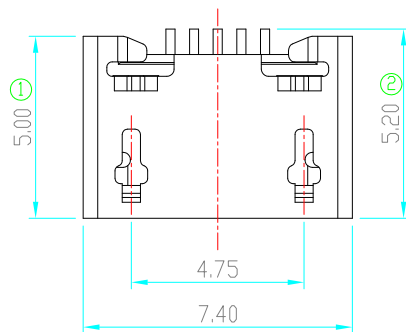
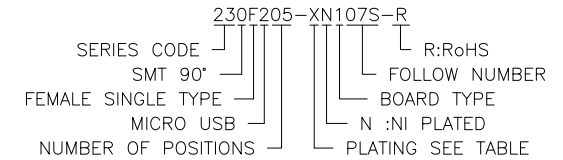
- 2-1. CONTACT: 0.5u" GOLD PLATING ON CONTACT AREA AND SOLDER TAILS, Ni 50u" MIN. UNDERPLATING OVERALL;
- 2-2. SHELL: PLATING ALL OVER NICKEL 50u" Min.

3, SPECIFICATIONS:

- 3-1. VOLTAGE RATING: 100VAC
- 3-2. CURRENT RATING: PIN1/PIN5 3.0A Max
PIN2/PIN3/PIN4 1.0A Max
- 3-3. INSULATION RESISTANCE: 100MEG.OHM MAX
- 3-4. CONTACT RESISTANCE: 50 MILL.OHM MAX
- 3-5. OPERATION TEMPERATURE: -20'TO+65'
- 3-6. INSERT FORCE: 35N MAX
- 3-7. EXTRACT FORCE: 8N MIN



PART NUMBER INFORMATION :



RECOMMENED P.C.B LAYOUT (TOP VIEW)
GENERAL TOLERANCE ±0.05

DESCRIPTION OF PLATING ON TERMINALS			
NO.	EXPLAIN	NO.	EXPLAIN
0	GOLD FLASH	3	GOLD 15u"
1	GOLD 5u"	4	GOLD 20u"
2	GOLD 10u"	6	GOLD 30u"

TOLERANCE .0=±0.25 .00=±0.15 .000=±0.05 ANG.=±3'	DRAWER FERRY CHECK FERRY APP'D HAWK PRODUCT SPEC.	INMO 东莞市英墨电子有限公司 INMO Electronics Co.,Ltd NAME MICRO USB 5P 前插后贴/直边	
 UNITS : mm	DRAW NO. 230F205-0N107S-R		
SCALE NONE	SIZE A9	SHEET 1 OF 1	REV. A